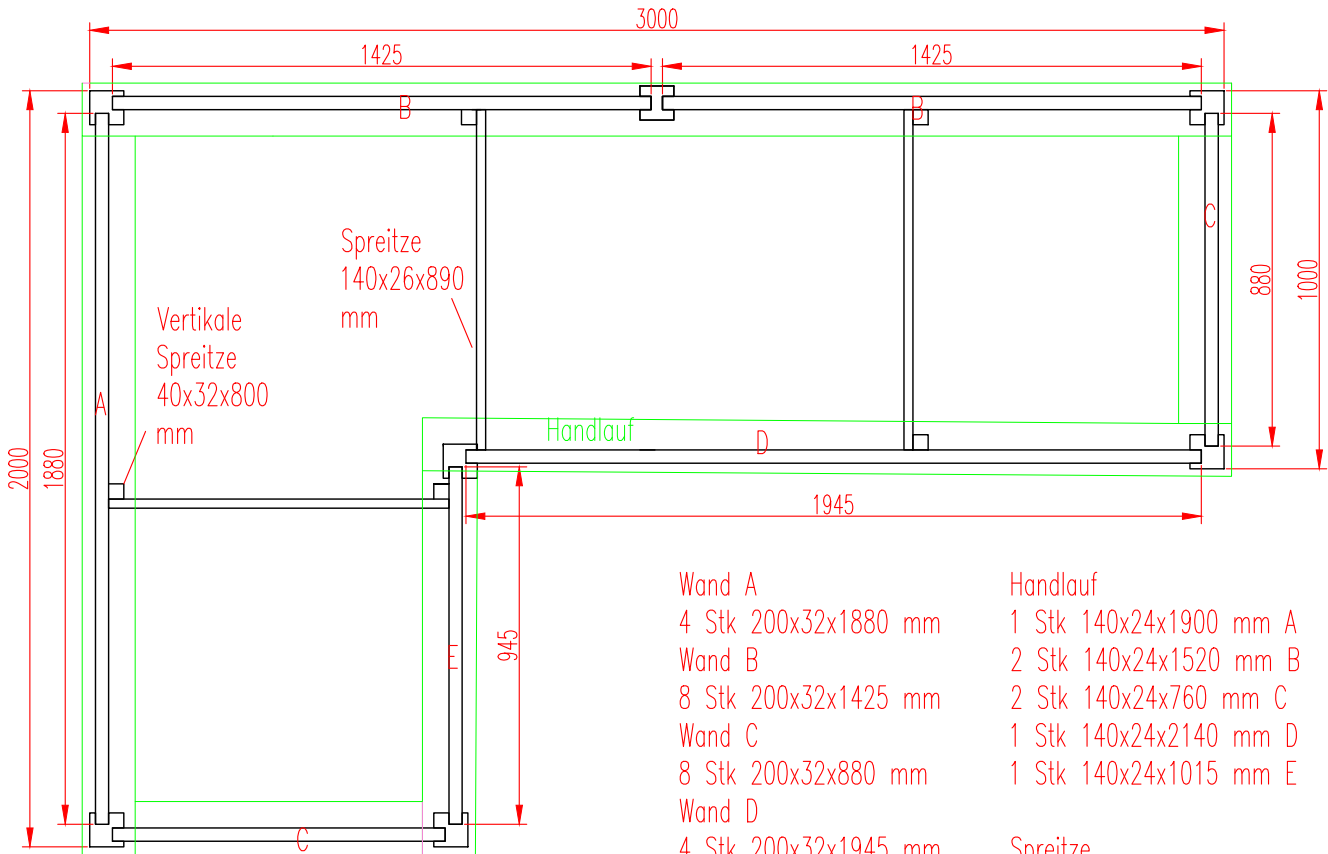


L:3000/2000 B:1000 H:800



Wand A	Handlauf
4 Stk 200x32x1880 mm	1 Stk 140x24x1900 mm A
Wand B	2 Stk 140x24x1520 mm B
8 Stk 200x32x1425 mm	2 Stk 140x24x760 mm C
Wand C	1 Stk 140x24x2140 mm D
8 Stk 200x32x880 mm	1 Stk 140x24x1015 mm E
Wand D	Spreitze
4 Stk 200x32x1945 mm	3 Stk 140x24x890mm
Wand E	Plane
4 Stk 200x32x945 mm	1 Stk 12 lfm
Eckkanter	Gitter
7 Stk 90x90x800 mm	3 Stk 1000x1510 mm
Vertikale Latten	Schrauben
5 Stk 40x32x800mm	165 Stk 5,0x70 mm